

3Ø Secondary Injection Kit

Features

- 230 V AC, $\pm 5\%$ @ 50 Hz, 1-Phase
- 4½ digit meters to indicate set Current & Voltage.
- Current & Voltage setting by Coarse and Fine multi-turn potentiometers.
- Frequency setting by multi-turn potentiometer.
- Power Factor setting by up & down Push Buttons.
- Current Channel output ports (CT1, CT2 & CT3).
- Voltage Channel output ports (L1, L2, L3 & LN).
- Output & Timer ON / OFF by toggle switch.
- Power ON/OFF by MCB



A three-phase secondary injection kit is a source of AC voltage, AC current, power factor, frequency, and time. Thereby, it is also a source of VA, VAR, W, VAhr, VARhr, and Whr. It has six different sine wave signals, which are synchronized with each other. Three of them are amplified and controlled as per set values to get phase to neutral voltages of three phases which are 120° phase shifted with each other. The other three sine wave signals are amplified and controlled as per set values to get currents of three phases which are 120° phase shifted with each other.

To simulate the power factor, the user can vary the phase shifts between the sets of voltages and currents by the 2 push button keys provided so as to set the lead and lag PF. By varying the potentiometer of the set frequency, the user can set the frequency. Time can be set on a timer by thumbwheel switches. At any given instance, the timer can be switched on and the output currents switched off after the lapse of the programmed time.

Technical Specifications

Model	ZM3ØSIK
Input Power Supply	230 V AC, $\pm 5\%$ @ 50 Hz.
Output Voltage Range	0 to 300 V (L-N) or 0 to 520 phase to phase
Output Current Range	0 to 6 A and 0 to 50A per phase continuous
Output Mode	3 Phase, 4 Wire
Output ports	L1, L2, L3 & LN, CT1 (Hi, Lo), CT2 (Hi, Lo), CT3 (Hi, Lo).
PF Range	0 (Lag) to Unity to 0 (Lead)
Compliance	20 VA at FS on Voltage ranges, 30VA at FS on 6A ranges and 50 VA at FS on 50A current ranges
Frequency	45 to 60 Hz
Setting	By Coarse and Fine potentiometers to set Voltage and Current. By push button keys for Power Factor. By potentiometer for frequency. Current ranges selection by toggle switch
Metering	Digital AC Voltmeter, Digital AC Ammeter, Universal meter to indicate PF, W, VA, VAR of each phase. Also average of all phase, Whr Programmable current display to accommodate any CT ratio.
Accuracy	Class 0.15% (for V, A, W and Whr)
Sinusoidal Outputs	THD 1.5%
Protections	Overload and Short circuit
Dimensions	550mm(W) X 650mm(D) X 450mm(H)
Weight	88 kg. Approx

Assembly Overview

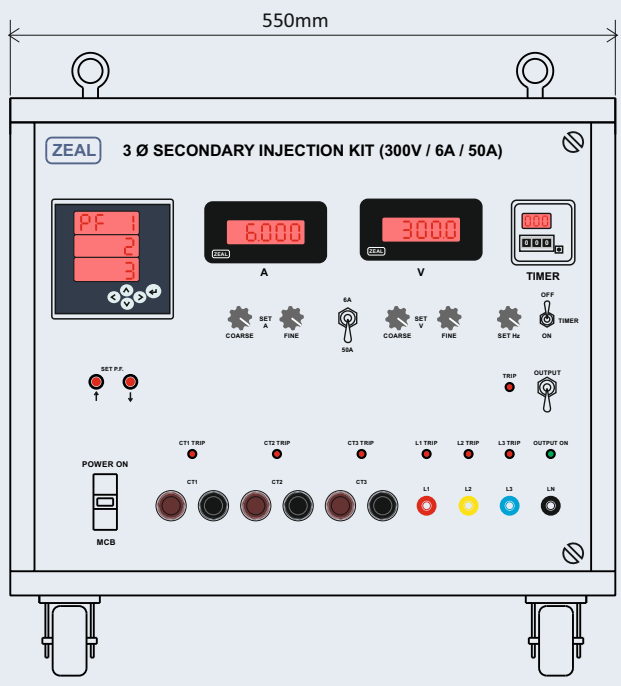


Fig.1 Front View

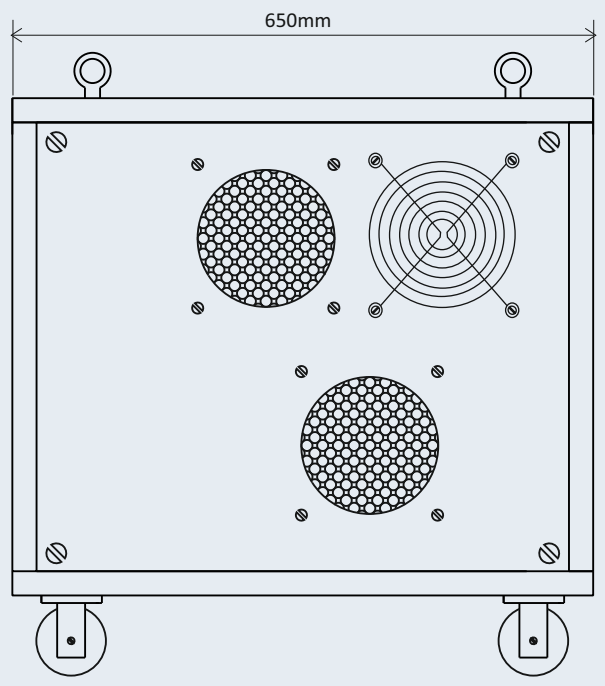


Fig.2 Side View

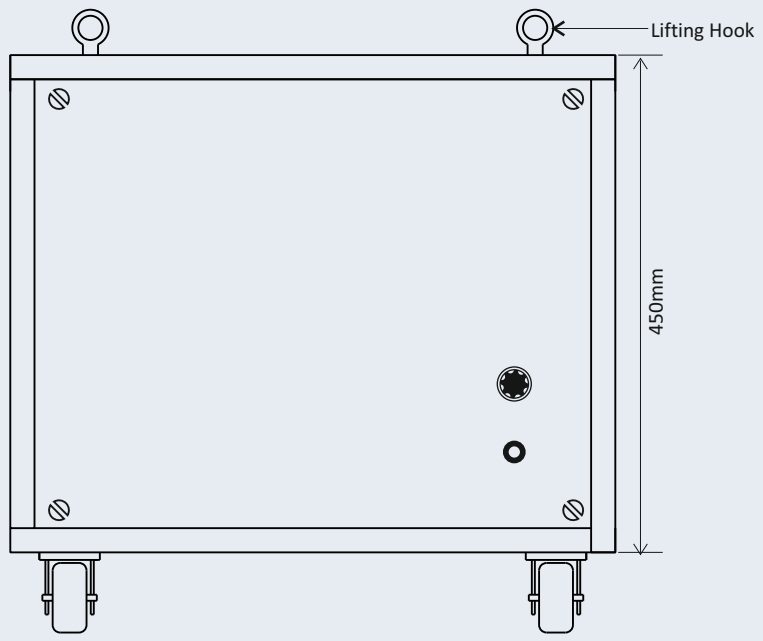


Fig.3 Rear View